

SCM-ZC-KIT & SCM-PD-PLUS with SCM-10-EXT-CC Underwater Lights & 4 Zones of RGB Lights



Standard Layout

HOW TO OPERATE

All Press twice to turn all zones on

Zone (1-4) Press and then set desired color and effect for the zone

Mode Press to step through modes:
Single Color Fade / Multi-Color Fade / Multi-Color Change / Strobe

Sync Press to step through sync options:
Full Spectrum Music Sync / Color Rotate Music Sync / Single Color Music Sync
Click [here](#) to view our 'Zone Controller Operations Guide' for full instructions

RECOMMENDED WIRE GAUGES

Scan the QR Code or click [here](#) to view our recommended wire gauge chart.



1 SCM-MZ-LC DIP SWITCH SETTINGS (from left to right counting up)

	1	2	3	4
↑	Zone 1 RGB	Zone 2 RGB	Zone 3 RGB	Zone 4 RGB
↓	Zone 1 RGBW	Zone 2 RGBW	Zone 3 RGBW	Zone 4 RGBW

2 SCM-PD-PLUS MODE DIP SWITCH SETTINGS (from left to right counting up)

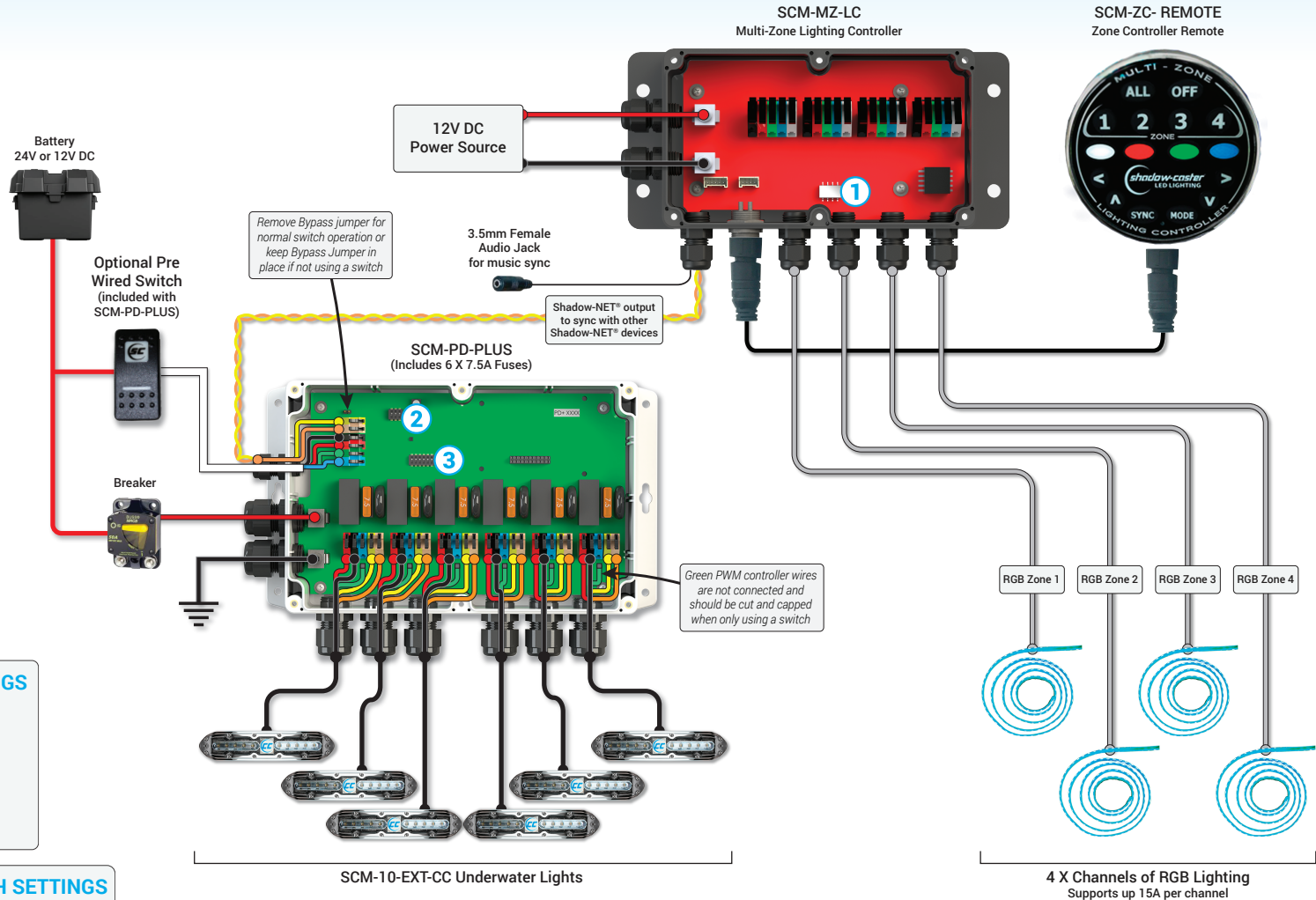
	1	2	3
↑	Network Enable	Chase Mode On	Extended Color Range Enabled
↓	Network Disable	Chase Mode Off	Extended Color Range Disabled

■ Indicates recommended settings for this installation

3 SCM-PD-PLUS LIGHT ENABLE DIP SWITCH SETTINGS (from left to right counting up)

	1	2	3	4	5	6
↑	Light 1 Enable	Light 2 Enable	Light 3 Enable	Light 4 Enable	Light 5 Enable	Light 6 Enable
↓	Light 1 Disable	Light 2 Disable	Light 3 Disable	Light 4 Disable	Light 5 Disable	Light 6 Disable

■ Indicates recommended settings for this installation



REVISED
March 19th 2021